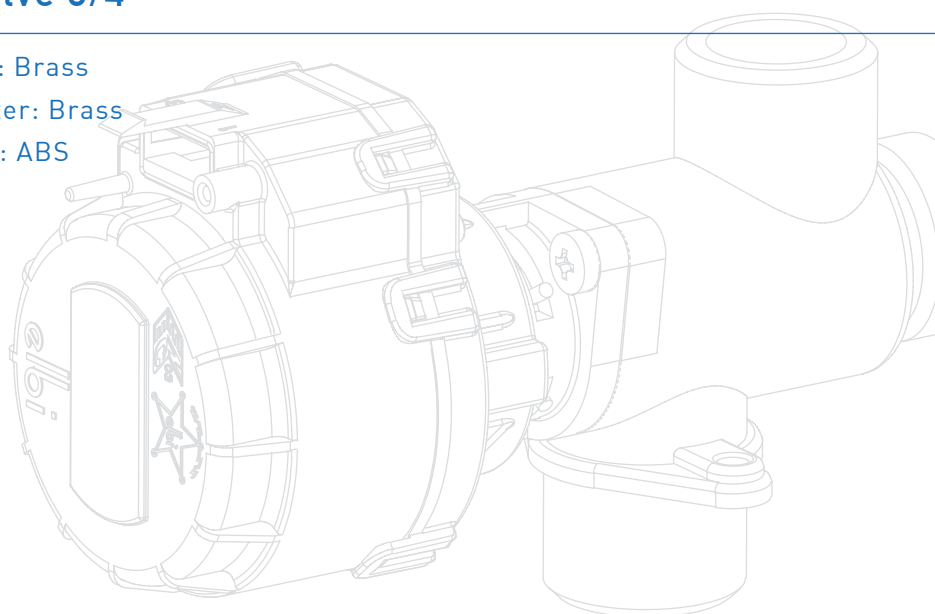


/ **Tap**  
Hydraulic components



**Ball valve 3/4"**

- / Body: Brass
- / Shutter: Brass
- / Knob: ABS



/ [www.otma.it](http://www.otma.it)

